

THE WESTERN LISTS

Information for Lists Personnel

The document specifies, in detail, the method to be used in the running of Western Crown or Coronet Tournaments.

Items for Consideration

Decisions for Royalty

It is very important that the presiding Royalty be made aware of the decisions that They have to make before the start of the lists. If They make requests to change the running of the lists, it is essential that they be advised of the consequences of Their request, to allow Them to make an informed decision.

1. **Seeding the Lists** – **** Important **** – Royalty, the Earl Marshall, or Their deputy, with the Lists personnel, should conduct the 'seeding' of fighters, and choosing the unbelted to add to the knights' group. This is essential to keep the list fair and difficult.

This Protects the Kingdom by keeping the fighting talent spread evenly throughout the lists, so that the lists are as difficult as possible, wherever a fighter is assigned. The kingdom has a policy of conducting "open" lists. The seeding makes it necessary for any out-kingdom fighter to win through the best of the Western chivalry to win the Western crown. It avoids the possibility of chance causing the best Western fighters to eliminate and tire one another in early rounds, while the out-kingdom fighter has relatively easy matches, throughout.

2. **The System** – **** Important **** – The lists are run using an established system, using an algorithm which supplies a definite formula to determine matches.

This Protects the Reputations of the presiding Royalty and of the people conducting the lists. By running the lists according to an established system, personal choice in deciding matches is eliminated, and with it, the possibility of favoritism being shown to particular fighters.

While there is some flexibility, it would be wise for Royalty to consult with Their officers before departing from this system. Departures from the system, such as assigning winners to fight winners, and losers to fight losers, are incorrect.

3. **Fighting the byes** – is not appropriate in the system used to run the lists. The lists are circular, and a person receiving a 'bye', fights the first fight in the next round. However, due to a widespread misunderstanding, there is a long-standing custom of "fighting the byes." Either way will work. The presiding Royalty should make a decision on this point, prior to starting the lists. If the byes are fought, the fighter's position on the scoresheet does not change. This makes assignment of matches difficult in later rounds, with all the "byes" at the end.
4. **The Finals** – there are actually four methods of running the finals. If the presiding Royalty wishes to use one of the alternate methods, the decision should be announced before the lists begin.
 - a. **Established custom** has it that the last two fighters fight a two-out-of-three finals, with prior losses forgiven.
 - b. One other method requires losses to be retained.
 - c. Yet another option retains only those losses suffered against the other fighter in the finals.
 - d. The last method causes the algorithm to be applied until there is only one fighter left. This is not recommended.
5. **Late Round Adjustments** – It is possible, in the very late rounds, for a decision to be required as to whether to assign a fighter a second bye, or to have two fighters fight each other for a second time.
 - a. It has been proven popular in the past to allow the remaining fighters to make the decision.
 - b. Presiding Royalty may, of course, choose to make the decision, but it should be made before the start of the lists, or at least before matches are assigned.
 - c. The default is to assign the second bye.
6. **Separating fighters** – squire from knight, or fighters from outlying regions in the lists can be done – but only as far as the initial field assignment.
 - a. The lists officials should receive such requests at signup. It is only necessary for the "belted" group, since the unbelted fighters can challenge into different fields to avoid their knights.
 - b. It can be done later, but the degree of difficulty, and time required, increase dramatically.
7. **Late arrivals** – can be accommodated in very limited numbers, preferably before the unbelted fighters have been added to the belted group.
 - a. The person involved should petition the presiding Royalty to be allowed to enter.
 - b. If the arrival is late enough that the addition will delay the start of the lists, the presiding Royalty should be informed before they rule on the petition.

THE WESTERN LISTS

Speeding up the lists

1. **Delays between rounds** – are to be strongly avoided.

The normal crown lists has eight to 10 rounds. Anything that causes a delay of 10 – 15 minutes between rounds will add one to two hours to the time required to conduct the lists. There should be no delays between early rounds, and only minimal delays later.

Longer delays make it difficult for fighters to remain focused and “loose” or “warmed-up.”

Items, which cause delays, are:

- a. **Running one field too long** – causes avoidable delay. If a fight has delayed the completion of the round on one field, any remaining fights should be assigned to another field as soon as one becomes available.
- b. **Not planning fights in advance** – causes avoidable delay. Except for the very late rounds, it is possible, and desirable, to have the fights for the next round partially assigned before the current round ends.
- c. **Ceremonies** – between rounds cause significant delay, if the next round must wait to start until after the ceremony. Even if the time required to conduct the ceremony is minimal, if three fields have been waiting for one to finish, so that the ceremony can be held, the delay is much greater than the time required for the ceremony. The presiding Royalty should be made aware of the cost in time, should They decide to have such a ceremony.
- d. **Waiting for a round to finish** – should be avoided unless necessary, or commanded by the presiding Royalty.
- e. **Melees** – scheduled in the middle of the lists cause lengthy delays, and are unnecessary if the lists are running smoothly.

2. **Other factors**

- a. **Long fights** on one field can cause the entire lists to be delayed, unless steps are taken to avoid this.
 - i. The Marshallate should be ready to open up a temporary extra field. The long fight should be moved to that temporary field, and the remaining fights in the round, conducted on the original assigned field.
 - ii. Royalty can take an active role in speeding up fights that are taking too long. There are methods of shortening fights when the fighters are becoming much less effective. The senior Marshallate can offer advice in this.
- b. **Missed arming calls** cause delays. It would be extremely helpful if attending Royalty would very strongly encourage fighters to take some pride in their participation in the lists. This pride should, at least in part, be reflected by attention and courtesy being paid to the Heralds, and by being ready when arming calls occur.

Running the lists

1. **The basic principle** on which the lists have operated since before year 10 is that they should be made as difficult as possible to win, and as fair as possible to fight. The reason for this is two-fold:

- a. **It protects the kingdom** by insuring that the next King or Prince will be a person who is experienced in the Society, and not some talented newcomer who has enjoyed more than his or her share of luck on a particular day.
- b. **It protects the reputations** of the presiding Royalty and the people conducting the lists. By strictly adhering to the established system, they are protected from the possible charge of favoring a particular fighter.

2. **Seeding** – supports the first point. Fighters are seeded - spaced out in the lists - based on their ability.

- a. Dukes are separated in the lists as far as is possible. Counts are then separated, then viscounts, then knights, and last, the 'invited' unbelted. The circularity of the lists should be taken into account.
- b. The strength of the individual fighters, within each rank category, should also be considered, not just their rank and precedence. In exceptional cases, a very strong, but lower-ranked fighter should be included in a higher rank category. Likewise, the fields of high-ranked fighters who have declined in skill and health, or are unpracticed, should be strengthened by the addition of other, stronger fighters.
- c. The presiding Royalty, or the Earl Marshall, or a designated deputy should conduct the seeding. The lists personnel should assist, but not conduct the seeding.

3. **An Algorithm** – supports the second point by determining matches based on the order in which the fighters are listed initially, and which fights have already occurred.

- a. The algorithm used is that the first unassigned fighter on the list fights the first unassigned fighter below him/her whom he/she has not previously fought.
- b. Adjustments can be made, but the principle is to deviate the least amount required.
- c. Only by the direct order of presiding Royalty should the system be modified. They should be made aware that this would likely cause a departure from the fairest selection of matches. For instance, the practice of determining matches by who has lost and who has not is inappropriate, and serves no useful purpose.

THE WESTERN LISTS

4. **Circular Lists** – The lists are essentially circular. A 'bye' is not the same as in the standard single-elimination tree.
 - a. In this method, if a fighter receives a 'bye' in one round, he/she should fight the first fight in the next round.
 - b. In this way, the effects of the 'bye' are minimal. The concept of 'fighting the byes' is not appropriate in this situation.

5. **Dividing Fields** – Large lists are usually split into several fields, to reduce the time required to run them.
 - a. The score sheet is divided into fields, each with a similar number of matches. Until the fields are merged, matches should be made of fighters from different fields.
 - b. Each field has its own worksheet, and is treated as a separate lists, until fields are combined.
 - c. Fighters should only be assigned fights on their field, until fields are merged in later rounds.
 - d. When fields are re-combined, use the original numerical order, modified by any position changes made on the worksheets. From then on, the two fields are on one worksheet.

For example, if fields Sable and Gules are merged,

 - i. Sable field has fighters 1, 5, 11 and 12 remaining. This is the order on both the Score Sheet and Worksheet.
 - ii. Gules field has fighters 19, 23, 27 and 28 remaining. However, the order on the worksheet is 27, 19, 23, 28 (because 27 received a bye in an earlier round).
 - iii. The order on the worksheets is used, so that the order of fighters on the resulting worksheet for the merged fields is: 1, 5, 11, 12, 27, 19, 23, 28.

6. **The Finals** – There are actually four methods of running the finals.
 - a. **Established custom** has it that the last two fighters fight a two-out-of-three finals, with prior losses forgiven.
 - b. One other method requires losses to be retained.
 - c. Yet another option retains only those losses suffered against the other fighter in the finals.
 - d. The last method causes the algorithm to be applied until there is only one fighter left. This is not recommended.

7. **Score sheet vs. Worksheet** – The order of fights is determined on a worksheet, which is different from the score sheet.
 - a. **Score sheet**
 - i. The initial seeding is done on the score sheet. Determine the number of fields to be used before the seeding.
 - 1) The seeded fighters are placed on the odd numbers.
 - 2) The challenging fighters are placed on the even number under the seeded fighter whom they challenge.
 - ii. The division into fields is determined.
 - iii. Results of matches, and the number of each opponent are recorded on the score sheet.
 - b. **Worksheet**
 - i. This original order of fighters (their number only) is copied onto the worksheet, with the matches annotated.
 - ii. The list of the surviving fighters is re-copied for each round, and new matches assigned.
 - iii. When fields are merged, the fighters should remain in the original numerical order, unless their position has been moved on a worksheet, because of a bye.
 - iv. **The order of fights in the round should be controlled by the Worksheet**, unless byes are being fought, and the fighters with the bye stay in place (not recommended).

8. **Techniques**
 - a. Rounds 1 and 2 can be assigned immediately after Invocation, since nobody will be eliminated in the first two rounds.
 - b. As results for one round come in, the matches for the next round can start being assigned. In later rounds, be careful when assigning matches towards the end of the round, since adjustments may have to be made.
 - c. When adjustments must be made, the guidelines are:
 - i. Make the simplest possible change. If no fights need to be broken, and the fighters reassigned, use that option.
 - ii. If fights must be broken, break the first one above the situation that requires adjustment, that resolves it.
 - iii. Explanation – “breaking a fight” means that it is necessary to undo a match already made. For instance, if fighters 1 and 2 are matched, but 3 and 4 have fought (there being no other fighters), the match between 1 and 2 must be broken, and 1 matched with 3, and 2 with 4.
 - d. It is easier to see whom a fighter has fought by looking at the Score Sheet.

THE WESTERN LISTS

- e. Highlighting losses on the Worksheet is a good way to check the accuracy of the Score Sheet.
- f. On the Score Sheet, highlight the entire row of an eliminated fighter. The surviving fighters are then much easier to see.

THE WESTERN LISTS

SAMPLE LISTS

This is how the Score Sheet and Worksheet will look when the first two rounds have been MATCHED.

	R. 1	R. 2	R. 3	R. 4	R. 5	R. 6	R. 7	R. 8
1 Duke A	/2	/3	/	/	/	/	/	/
2 unbelt S	/1	/4	/	/	/	/	/	/
3 Invited F	/4	/1	/	/	/	/	/	/
4 unbelt T	/3	/2	/	/	/	/	/	/
5 Sir D	/6	/7	/	/	/	/	/	/
6 unbelt u	/5	/8	/	/	/	/	/	/
7 Count B	/8	/5	/	/	/	/	/	/
8 unbelt v	/7	/6	/	/	/	/	/	/
9 Sir E	/10	/11	/	/	/	/	/	/
10 unbelt w	/9	/12	/	/	/	/	/	/
11 Viscount C	/12	/9	/	/	/	/	/	/
12 unbelt x	/11	/10	/	/	/	/	/	/

R.1	R.2
1	1
2	2
3	3
4	4
5	5
6	6
7	7
8	8
9	9
10	10
11	11
12	12

1. Seeding

- a. For the example, the belted group is **blue**. The letters after the titles indicate the order in which they were placed.
- b. Note that Count B was placed in the middle, rather than the end, because the list is circular, and if run properly, fighters receiving a bye would move to the top of the list for the next round. (See example below.)
- c. Note that Viscount C was placed closer to the count, and Invited F (an unbelt invited to the belted group) was placed closer to Duke A, so that the talent will be spread more evenly. (duke + invite + knight = count + viscount + knight)

2. Matches

- a. The first round opponents for the seeded fighters are determined by challenge, and are entered on the even numbers after the seeded fighter they challenged. It is useful to have this round on the Worksheet for future reference.
- b. The second round matches are made according to the algorithm. Fighter 1 has fought fighter 2, so his/her opponent is the next fighter that he/she has not fought – fighter 3. The rest of the matches for the round are made in a similar manner. The next unassigned fighter is 2, who has not fought 4, and so on.

After the first two rounds have been FOUGHT.

	R. 1	R. 2	R. 3	R. 4	R. 5	R. 6	R. 7	R. 8
1 Duke A	w/2	w/3	/4	/	/	/	/	/
2 unbelt S	L/1	w/4	/5	/	/	/	/	/
3 Invited F	L/4	L/1	/	/	/	/	/	/
4 unbelt T	w/3	L/2	/1	/	/	/	/	/
5 Sir D	w/6	L/7	/2	/	/	/	/	/
6 unbelt u	L/5	w/8	/7	/	/	/	/	/
7 Count B	w/8	w/5	/6	/	/	/	/	/
8 unbelt v	L/7	L/6	/	/	/	/	/	/
9 Sir E	w/10	L/11	w/B	/	/	/	/	/
10 unbelt w	L/9	w/12	/11	/	/	/	/	/
11 Viscount C	w/12	w/9	/10	/	/	/	/	/
12 unbelt x	L/11	L/10	/	/	/	/	/	/

R.1	R.2	R.3
1	1	1
2	2	2
3	3	4
4	4	5
5	5	6
6	6	7
7	7	9
8	8	10
9	9	11
10	10	bye
11	11	
12	12	

1. Score Sheet

- a. Note that the number of each fighter's opponent has been entered in the right side of the rectangle in each round.
- b. A "W" for a win, or an "L" for a loss is entered in the left side of the rectangle.
- c. When a fighter accumulates two losses, his row is highlighted, so it can more easily be disregarded during future scoring.
- d. The 3rd round matches have been entered for each fighter.

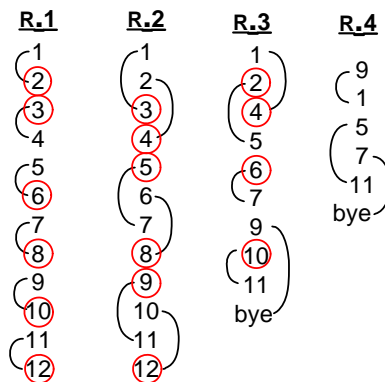
2. Worksheet

- a. As a double check, the fighter's numbers on the worksheet are circled or highlighted when they lose in a round.
- b. The 3rd round matches have been made according to the algorithm. Fighter 1 has fought 2, so he/she is matched with the next fighter he/she has not fought, which is 4. 6 and 7 have not fought, so that match is made.
- c. An adjustment is required for the remainder 9 has fought both 10 and 11. However 10 and 11 have not fought, so the simplest adjustment is to have 9 receive the bye, and be assigned the first match in the next round.
- d. An alternative would have been to split the 6-7 match, having 6 fight 9, and 7 fight 10, with 11 getting the bye. However, the adjustment was simpler, as described above, so that one should be used.

THE WESTERN LISTS

Round 3 has been fought, and the matches for round 4 have been assigned.

	R. 1	R. 2	R. 3	R. 4	R. 5	R. 6	R. 7	R. 8
1 Duke A	w/2	w/3	w/4	/9	/	/	/	/
2 unbelt S	L/1	w/4	L/5	/	/	/	/	/
3 Invited F	L/4	L/1	/	/	/	/	/	/
4 unbelt T	w/3	L/2	L/1	/	/	/	/	/
5 Sir D	w/6	L/7	w/2	/11	/	/	/	/
6 unbelt u	L/5	w/8	L/7	/	/	/	/	/
7 Count B	w/8	w/5	w/6	w/B	/	/	/	/
8 unbelt v	L/7	L/6	/	/	/	/	/	/
9 Sir E	w/10	L/11	w/B	/1	/	/	/	/
10 unbelt w	L/9	w/12	L/11	/	/	/	/	/
11 Viscount C	w/12	w/9	w/10	/5	/	/	/	/
12 unbelt x	L/11	L/10	/	/	/	/	/	/

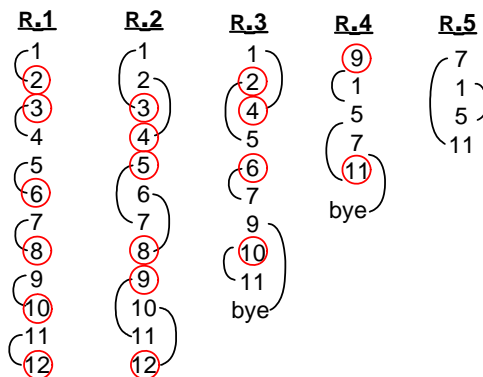


1. Matches

- Since 9 received the bye, he/she moves to the top of the list to fight 1, and fights in the first fight of round 4.
- Since 5 has fought 7, he/she must fight 11, the next fighter down whom he/she hasn't fought.
- Fighter 7 gets the bye in this round.

Round 4 has been fought, and the matches for round 5 have been assigned.

	R. 1	R. 2	R. 3	R. 4	R. 5	R. 6	R. 7	R. 8
1 Duke A	w/2	w/3	w/4	w/9	/5	/	/	/
2 unbelt S	L/1	w/4	L/5	/	/	/	/	/
3 Invited F	L/4	L/1	/	/	/	/	/	/
4 unbelt T	w/3	L/2	L/1	/	/	/	/	/
5 Sir D	w/6	L/7	w/2	w/11	/1	/	/	/
6 unbelt u	L/5	w/8	L/7	/	/	/	/	/
7 Count B	w/8	w/5	w/6	w/B	/11	/	/	/
8 unbelt v	L/7	L/6	/	/	/	/	/	/
9 Sir E	w/10	L/11	w/B	L/1	/	/	/	/
10 unbelt w	L/9	w/12	L/11	/	/	/	/	/
11 Viscount C	w/12	w/9	w/10	L/5	/7	/	/	/
12 unbelt x	L/11	L/10	/	/	/	/	/	/



1. Matches

- Since 7 received the bye, he/she moves to the top of the list, and fights in the first fight of round 4.
- Fighters 1 and 7 have not fought, but fighters 5 and 11 have, so the easiest adjustment is to not match 1 and 7.
 - However, 5 and 7 have fought; so 7 will fight 11, and 1 will fight 5.

Round 5 has been fought, and the contestants for the Finals have been determined.

In a list with multiple fields, this might be where the fields are merged. It could also have been done after round 4.

	R. 1	R. 2	R. 3	R. 4	R. 5	R. 6	R. 7	R. 8
1 Duke A	w/2	w/3	w/4	w/9	w/5	/	/	/
2 unbelt S	L/1	w/4	L/5	/	/	/	/	/
3 Invited F	L/4	L/1	/	/	/	/	/	/
4 unbelt T	w/3	L/2	L/1	/	/	/	/	/
5 Sir D	w/6	L/7	w/2	w/11	L/1	/	/	/
6 unbelt u	L/5	w/8	L/7	/	/	/	/	/
7 Count B	w/8	w/5	w/6	w/B	w/11	/	/	/
8 unbelt v	L/7	L/6	/	/	/	/	/	/
9 Sir E	w/10	L/11	w/B	L/1	/	/	/	/
10 unbelt w	L/9	w/12	L/11	/	/	/	/	/
11 Viscount C	w/12	w/9	w/10	L/5	L/7	/	/	/
12 unbelt x	L/11	L/10	/	/	/	/	/	/

